

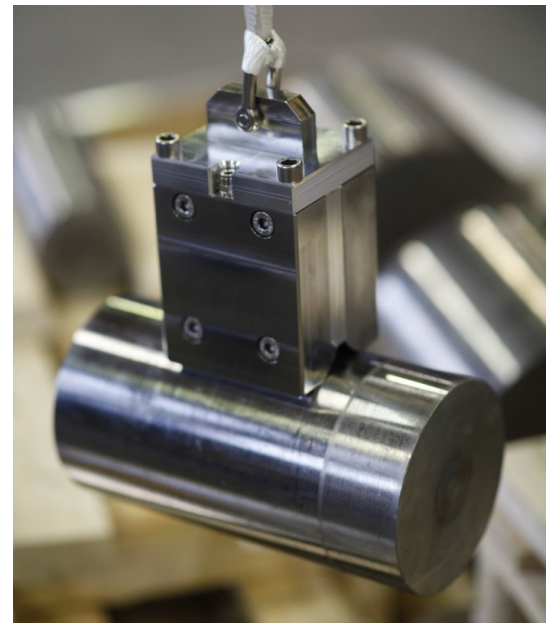
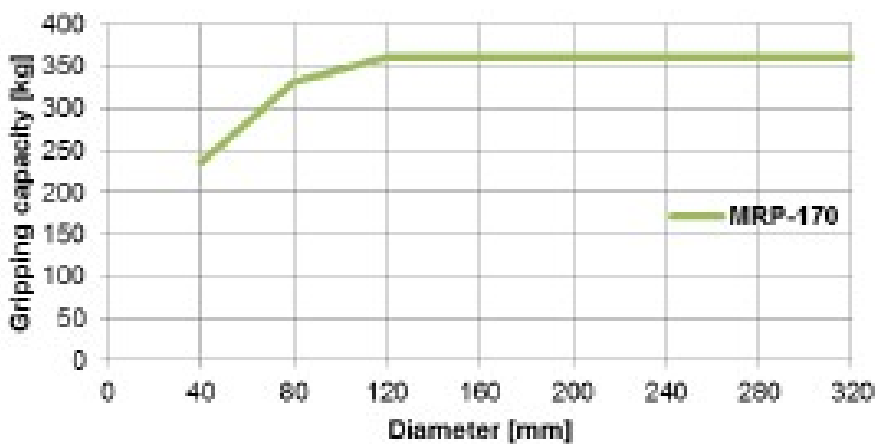
**Pneumatisk PM Magnet MRP-170**

TECHNICAL SPECIFICATIONS									
Lifting capacity WLL [kg]	Gripping capacity [kg] [kN]		Residual capacity, max. [kg]	Dimensions L x W x H [mm]	Weight [kg]	Operating temperature [°C]	Air pressure: functional range [bar]	Pneumatic hose outer diameter [mm]	Minimum cycle time [s]
Flat: 170	510*	5,0*	30	103 x 120 x 140	11	0 ... 50	5 ... 8	2 x 6.0	< 1
Round: 120**	360**	3,5**							

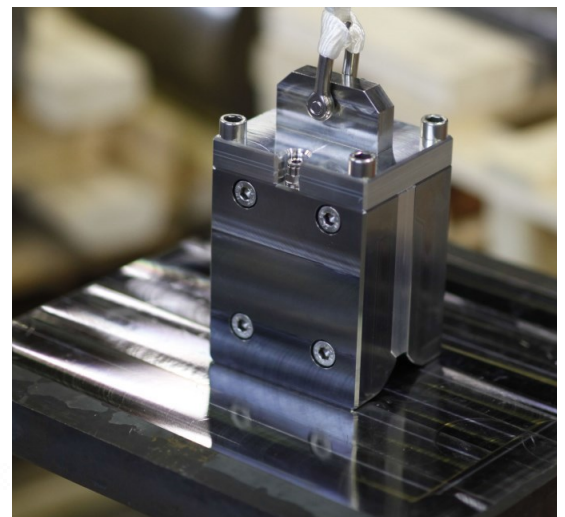
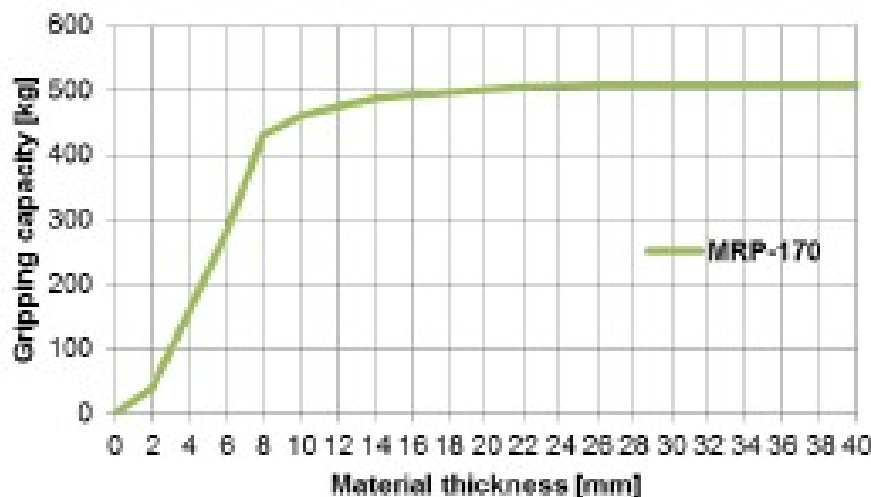
\* plate thickness ≥ 25 mm  
 \*\* cylinder diameter ≥ 120 mm

The lifting capacities (WLL) are determined with a safety factor of 3.

**Gripping capacity vs. material diameter**

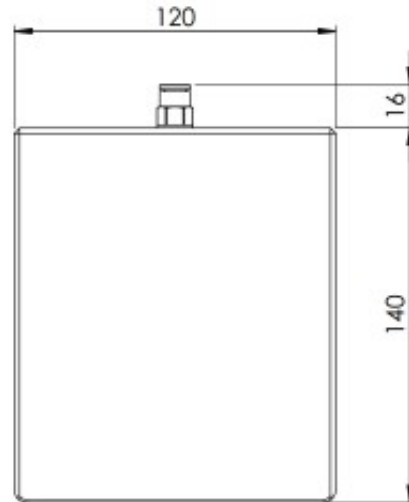
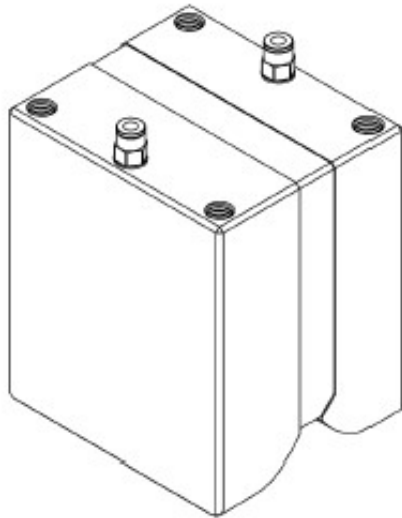


**Gripping capacity vs. material thickness**



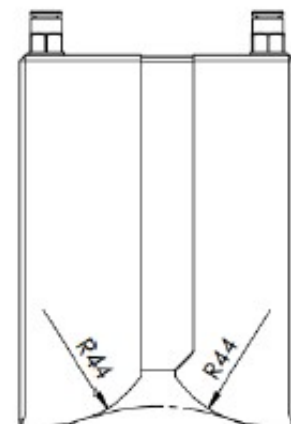
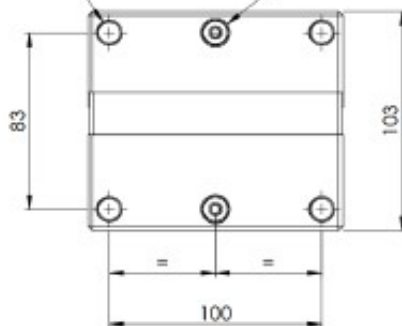


## Pneumatisk PM Magnet MRP-170

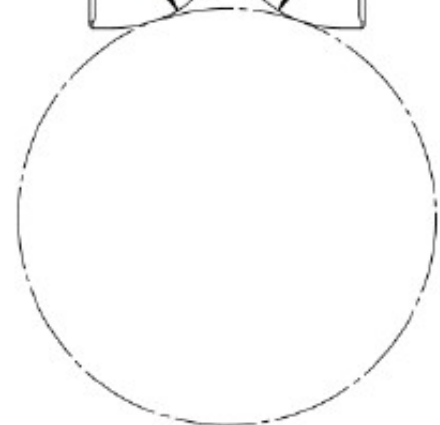
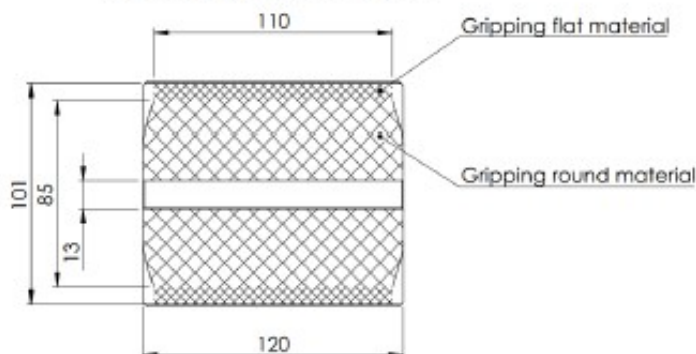


Mounting threads M12, depth 24 mm, 4 pcs.

- Pneumatic connections, 2 pcs.
- Rapid fittings for plastic tubing
  - Tube external dia 6 mm
  - Threads 1/8, depth 10 mm



Gripping surface - Magnetic poles



**Kontakta oss gärna, så hjälper vi er!**