

## Mobile and adaptable electrically battery-powered lifting trolleys

They are complemented here with some of our custom-made vacuum grippers.

This fantastic combination makes it possible to handle your goods from vertical to horizontal or vice versa.

Discover our impressive range of lifting trolleys designed to combine functionality and flexibility in an outstanding way. With a variety of widths, heights, and lengths to choose from, and options for small or large wheels, the possibilities are endless when creating your fully customized lifting trolley. Your needs shape the final appearance of the lift trolley. The lift trolleys are Swedish-made and stand out for their ergonomics, with low weight and smooth-rolling wheels.

The lift trolleys are equipped with a central brake and a convenient 3-step brake that also functions as a directional lock on the rear wheels. This design makes the lift trolleys very easy to maneuver. We offer lift trolleys in both painted and stainless steel finishes.

The robust screw drive in the lift column ensures reliability and durability over many years of use. Additionally, all lift trolleys feature an integrated disengagement function that acts as an effective tip and pinch guard. This smart feature automatically disconnects the lowering motion if the load is obstructed during descent, ensuring safe and efficient operation.

The lift trolleys are electrically battery-powered, providing not only powerful performance but also exceptional user-friendliness. They require minimal maintenance to continue performing at their best.



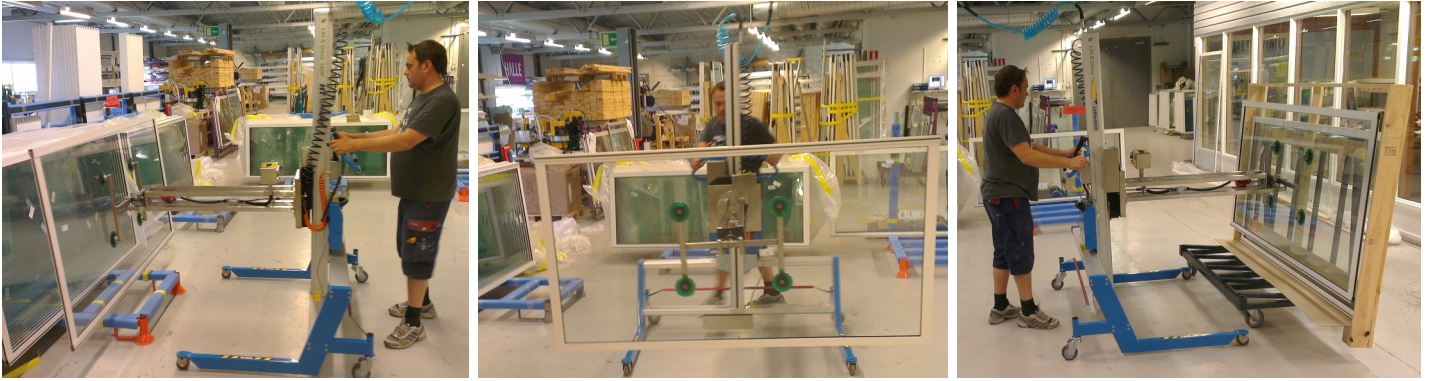
### Create your perfect lift trolley with our flexible modular system!



You can easily select the ideal length and width of the legs, as well as the height of the column, to fit your specific needs. As a fantastic alternative, we also offer an innovative telescopic column that can double the lifting height.

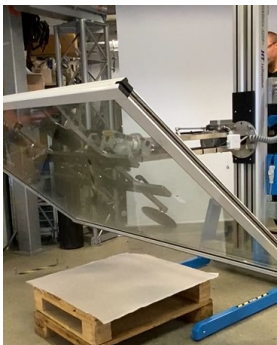
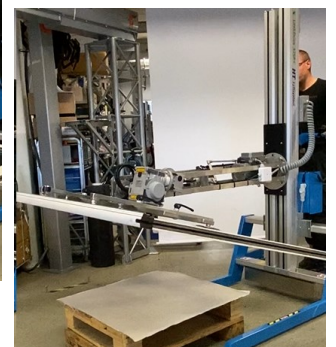
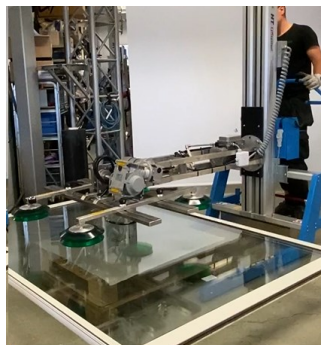
# Lifting trolleys tailored to your needs - here with custom-made vacuum grippers

With the mobile lifting trolley, you can lift, move, handle, and tilt your goods in a way that is smooth, safe, ergonomic, and highly efficient.



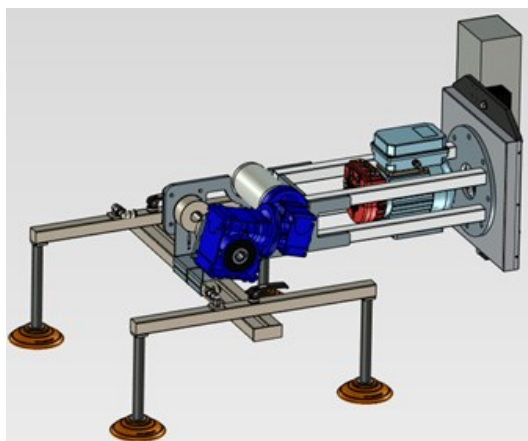
For efficient handling of vertically standing glass panes or other compact goods, this fantastic solution is available - a lifting trolley combined with a custom-made vacuum gripper. The tool can be adapted to handle various types of goods, making it useful across a wide range of industries and applications.

The lift trolley in the images is customized with wide legs, giving it the ability to straddle a 1200 mm pallet. The result is the smooth and efficient handling of even large goods. By reducing the need for manual handling, you decrease the risk of accidents and injuries in the workplace.

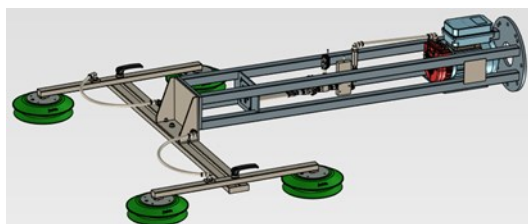


With our vacuum gripper, you have a tool with excellent lifting capabilities, as well as outstanding tilting ability. This solution allows you to easily place glass or other compact goods in an upright position.

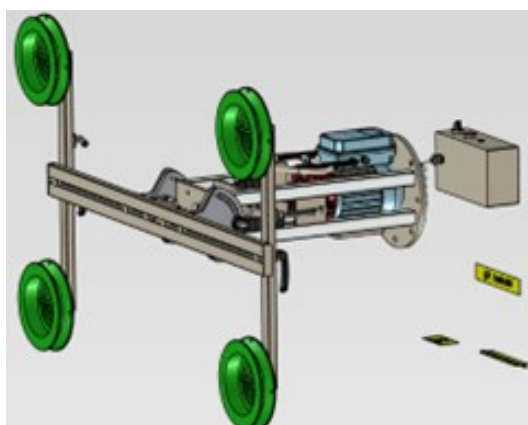
Below you can see some vacuum tools that we have developed:



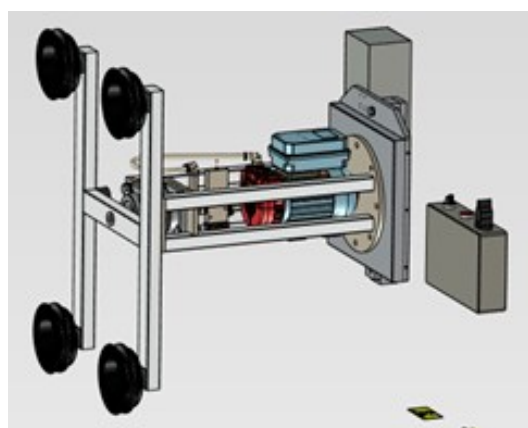
24VDC Vacuum, with adjustable suction cups and tilt 0-180° around the y-shaft, rotation 0-360° around the x-shaft.



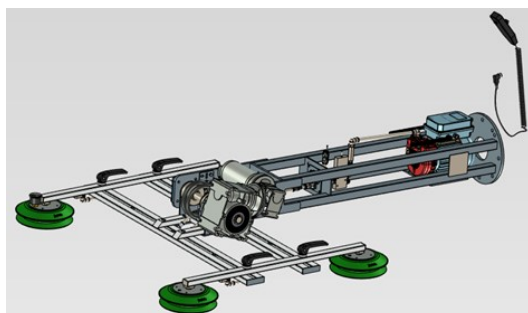
24VDC Vacuum, with adjustable suction cups / (rotation 0-360° around the x-shaft).



24VDC Vacuum, with adjustable suction cups and tilt 45-90-135° around the y-shaft.



24VDC Vacuum, with fixed suction cup frame, rotation 360° around the x-shaft.



24VDC Vacuum, with adjustable suction cup, tilt 0-180° around the y-shaft.

## Customizable lifting trolleys with bespoke vacuum tools designed for quick and efficient handling of compact materials

This solution saves time and labor, reduces work-related injuries, resulting in lower costs and increased profitability for you.

Here you can see the glass handling at Spårvägen with a customized lifting trolley equipped with a vacuum gripper, specifically designed to make the glass replacement process on trams smooth and efficient. Lift, tilt, rotate, and move effortlessly.

Our lifting trolleys feature an ergonomic design, making them comfortable and user-friendly. Several safety features are built in to ensure the safety of both the user and the load. All of our lift trolley models are equipped with a safety mechanism that immediately halts the lifting process if the tool encounters an obstruction during descent.



Safe, efficient, and ergonomic handling during the dismantling, assembly, and unloading of doors with a customized lifting trolley and a bespoke vacuum gripper for replacing windows on trams.

Lift, move, and tilt with our electrically battery-powered lifting trolley  
Here with a custom-made vacuum gripper featuring a rotating module for precision positioning.



### Ergonomic, efficient and safe handling

With our custom-made vacuum gripper and mobile lifting trolley, you get ergonomic, efficient, and safe handling. Our vacuum gripper not only excels in lifting capacity but also stands out for its ability to tilt your compact goods with impressive precision. It's a smart solution that boosts productivity by enabling smoother handling of large and unwieldy objects.



### Lift, tilt, and rotate with full control

Our advanced vacuum grippers open up a world of possibilities for custom solutions, allowing you to lift, tilt, and rotate your goods with superior precision. With a 24V pump, we guarantee efficient and reliable performance.

### Handle your goods with full control

Our tilt function provides you with the flexibility to fine-tune the angle and ensure that your goods are always securely positioned in the optimal position.

Power, control and performance in a single unit.



# For over 20 years, we have been creating custom-tailored **special solutions**

We want our products to make a real difference. To achieve an optimal solution, it often requires us to develop custom special solutions. Since we have a range of fundamental components to work with, sometimes it involves making simpler adjustments to existing products. However, more often, a bespoke solution is needed; in such cases, we design and manufacture a solution that we aim to be thoroughly utilized and appreciated.

**Please visit our website**  
[www.lyftsystem.se](http://www.lyftsystem.se)

**We are also on LinkedIn**  
*HT Lyftsystem AB*

**You can also find us on FaceBook  
and**

**Instagram**

<https://www.facebook.com/lyftsystem.se/>

[Instagram.com/ht\\_lyftsystem\\_ab/](https://www.instagram.com/ht_lyftsystem_ab/)

**HT Lyftsystem**

Phone. +46 8 511 873 02  
[info@lyftsystem.se](mailto:info@lyftsystem.se)  
[www.lyftsystem.se](http://www.lyftsystem.se)